

CHILLER + 10°C or lower

High Humidity CHILLER + 3°C ~ + 10°C

Model	Description
DN401-R (L)	Size: 1200(W) x 290(D) x 275(H) Temperature: + 10°C or lower Capacity: 31L
DN501-R (L)	Size: 1500(W) x 290(D) x 275(H) Temperature: + 10°C or lower Capacity: 43L
DN601-R (L)	Size: 1800(W) x 290(D) x 275(H) Temperature: + 10°C or lower Capacity: 55L

Model	Description
DN421H-R (L)	Size: 1200(W) x 343(D) x 328(H) Temperature: + 3°C ~ + 10°C Capacity: 36L
DN521H-R (L)	Size: 1500(W) x 343(D) x 328(H) Temperature: + 3°C ~ + 10°C Capacity: 48L
DN621H-R (L)	Size: 1800(W) x 343(D) x 328(H) Temperature: + 3°C ~ + 10°C Capacity: 60L

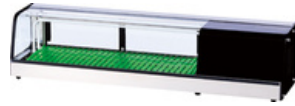


**Reliable
Refrigeration
Solutions**

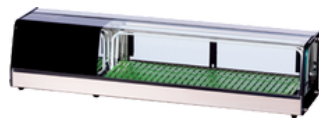
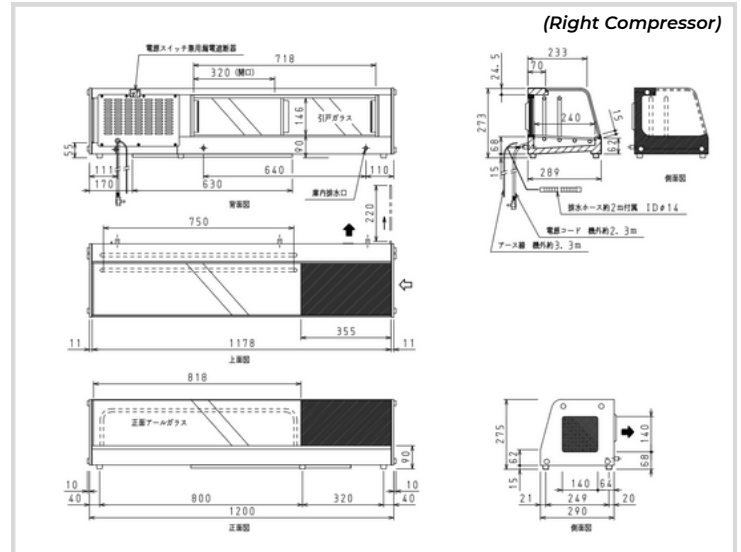


**日本製
MADE IN JAPAN**

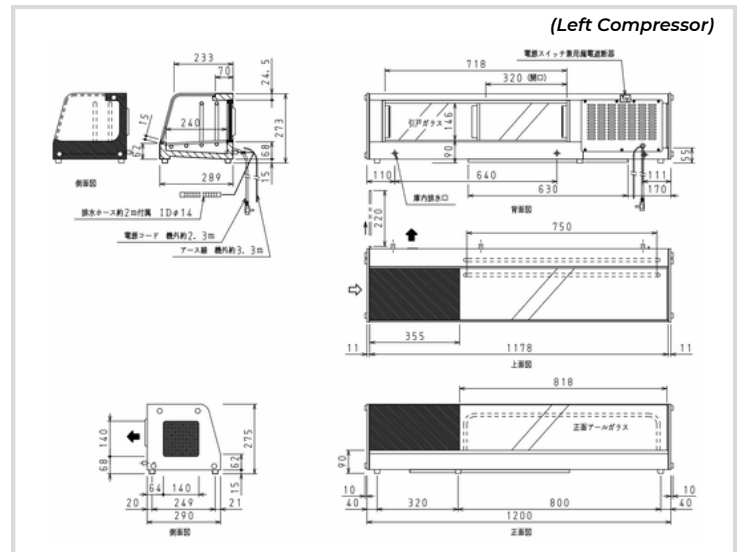
Sushi Display Showcase



**(Right Compressor)
DN401-R**



**(Left Compressor)
DN401-L**



PRODUCT SPECIFICATIONS

Model	Temperature	Dimension	Volume	Weight	Refrigerant	Power
DN401-R	+ 10°C or lower	1200(W) x 290(D) x 275(H)	31L	34KG	R134A	1 Phase / 220V / 50Hz 140/155W / 0.76A / 13A UK Plug
DN401-L	+ 10°C or lower	1200(W) x 290(D) x 275(H)	31L	34KG	R134A	1 Phase / 220V / 50Hz 140/155W / 0.76A / 13A UK Plug





**Reliable
Refrigeration
Solutions**

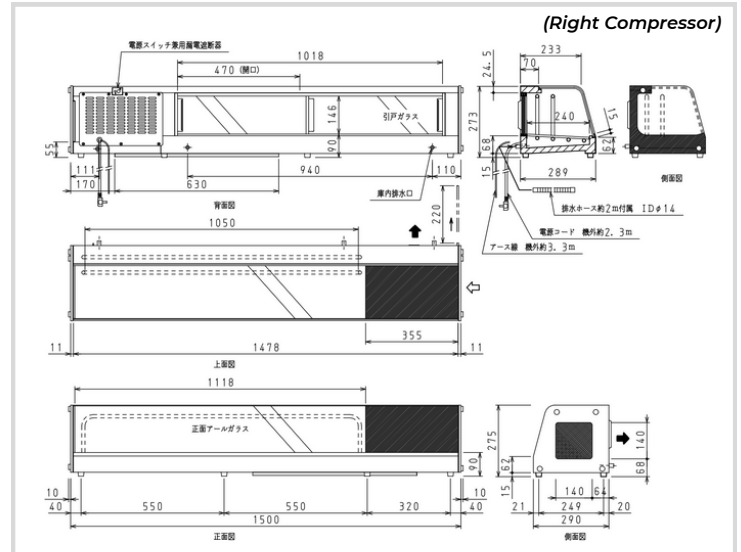


**日本製
MADE IN JAPAN**

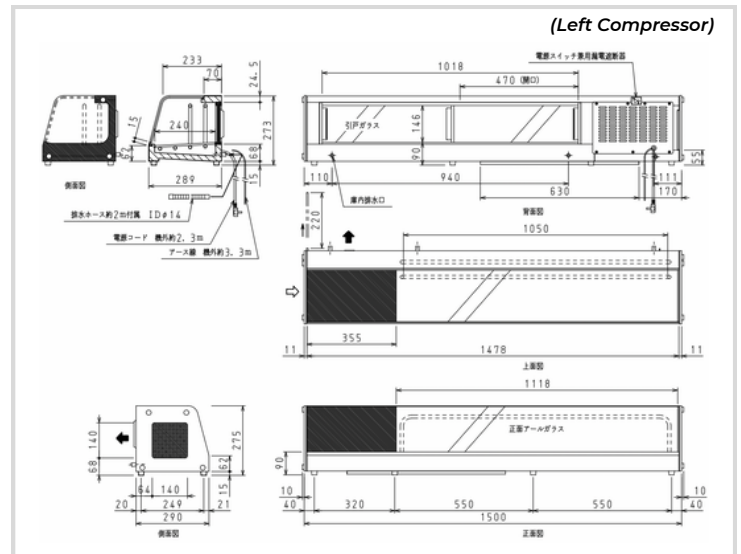
Sushi Display Showcase



**(Right Compressor)
DN501-R**



**(Left Compressor)
DN501-L**



PRODUCT SPECIFICATIONS

Model	Temperature	Dimension	Volume	Weight	Refrigerant	Power
DN501-R	+ 10°C or lower	1500(W) x 290(D) x 275(H)	43L	37KG	R134A	1 Phase / 220V / 50Hz 150/165W / 0.84A / 13A UK Plug
DN501-L	+ 10°C or lower	1500(W) x 290(D) x 275(H)	43L	37KG	R134A	1 Phase / 220V / 50Hz 150/165W / 0.84A / 13A UK Plug



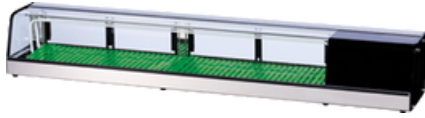


**Reliable
Refrigeration
Solutions**

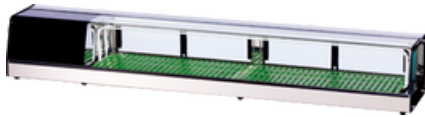
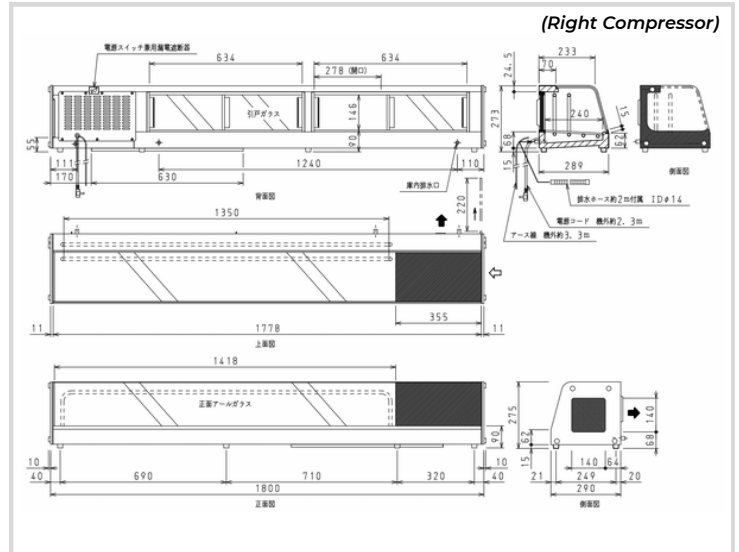


**日本製
MADE IN JAPAN**

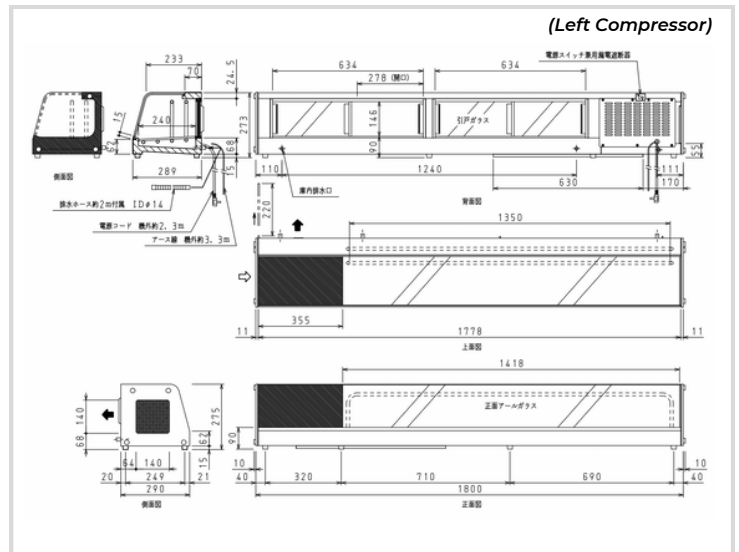
Sushi Display Showcase



**(Right Compressor)
DN601-R**



**(Left Compressor)
DN601-L**



PRODUCT SPECIFICATIONS

Model	Temperature	Dimension	Volume	Weight	Refrigerant	Power
DN601-R	+ 10°C or lower	1800(W) x 290(D) x 275(H)	55L	42KG	R134A	1 Phase / 220V / 50Hz 160/175W / 0.89A / 13A UK Plug
DN601-L	+ 10°C or lower	1800(W) x 290(D) x 275(H)	55L	42KG	R134A	1 Phase / 220V / 50Hz 160/175W / 0.89A / 13A UK Plug





**Reliable
Refrigeration
Solutions**



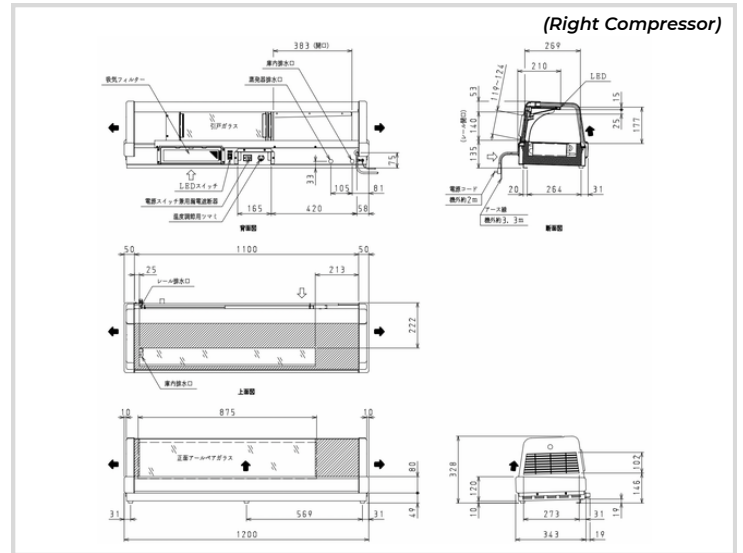
**日本製
MADE IN JAPAN**

Sushi Display Showcase

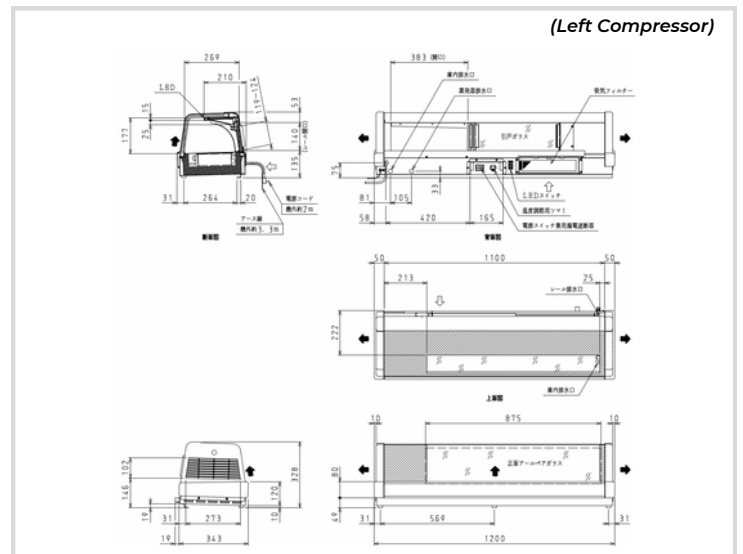
- Constant Temperature
- High Humidity



**(Right Compressor)
DN421H-R**



**(Left Compressor)
DN421H-L**



*Comes with LED

PRODUCT SPECIFICATIONS

Model	Temperature	Dimension	Volume	Weight	Refrigerant	Power
DN421H-R	+ 3°C ~ + 10°C	1200(W) x 343(D) x 328(H)	36L	50KG	R134A	1 Phase / 220V / 50Hz 204/217W / 1.1A / 13A UK Plug
DN421H-L	+ 3°C ~ + 10°C	1200(W) x 343(D) x 328(H)	36L	50KG	R134A	1 Phase / 220V / 50Hz 204/217W / 1.1A / 13A UK Plug

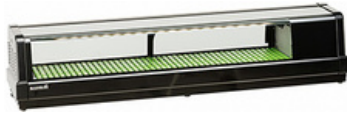




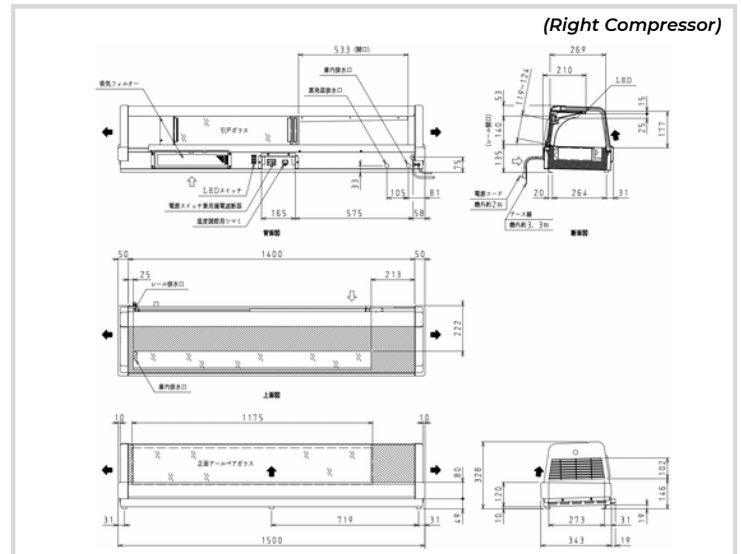
**Reliable
Refrigeration
Solutions**



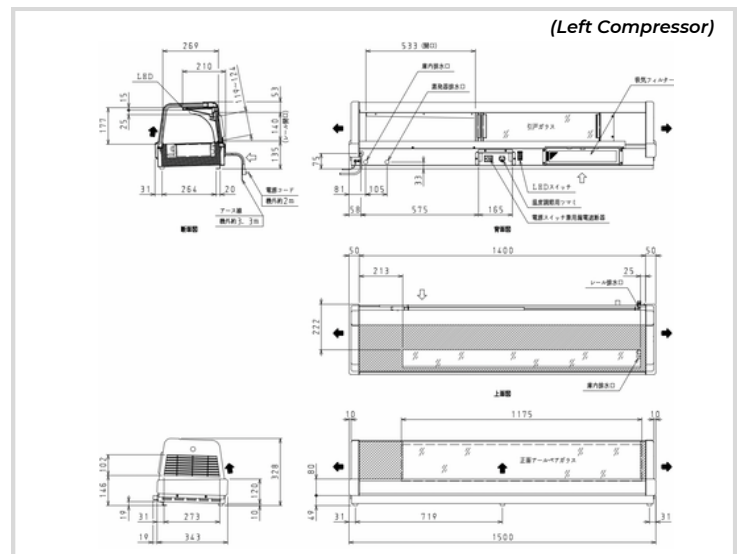
Sushi Display Showcase <Constant temperature high humidity>



**(Right Compressor)
DN521H-R**



**(Left Compressor)
DN521H-L**



*Comes with LED

PRODUCT SPECIFICATIONS

Model	Temperature	Dimension	Volume	Weight	Refrigerant	Power
DN521H-R	+ 3°C ~ + 10°C	1500(W) x 343(D) x 328(H)	48L	62KG	R134A	1 Phase / 220V / 50Hz 229/229W / 1.17A / 13A UK Plug
DN521H-L	+ 3°C ~ + 10°C	1500(W) x 343(D) x 328(H)	48L	62KG	R134A	1 Phase / 220V / 50Hz 229/229W / 1.17A / 13A UK Plug





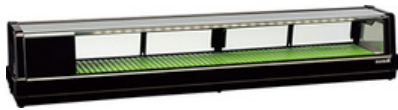
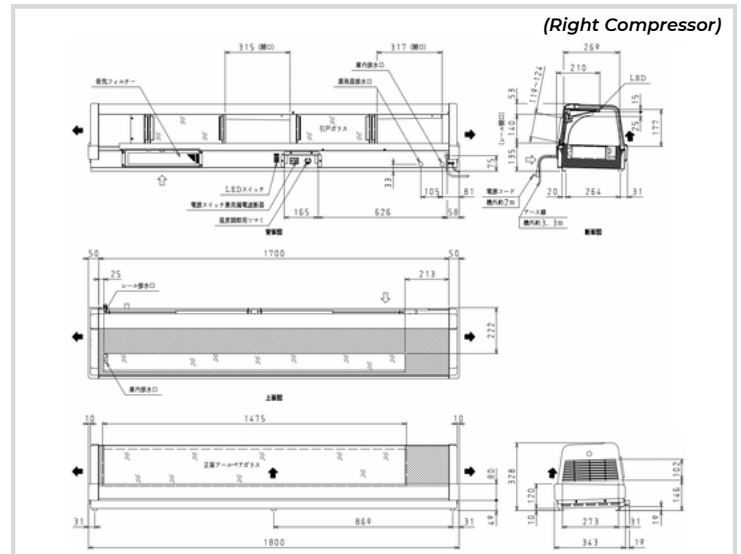
**Reliable
Refrigeration
Solutions**



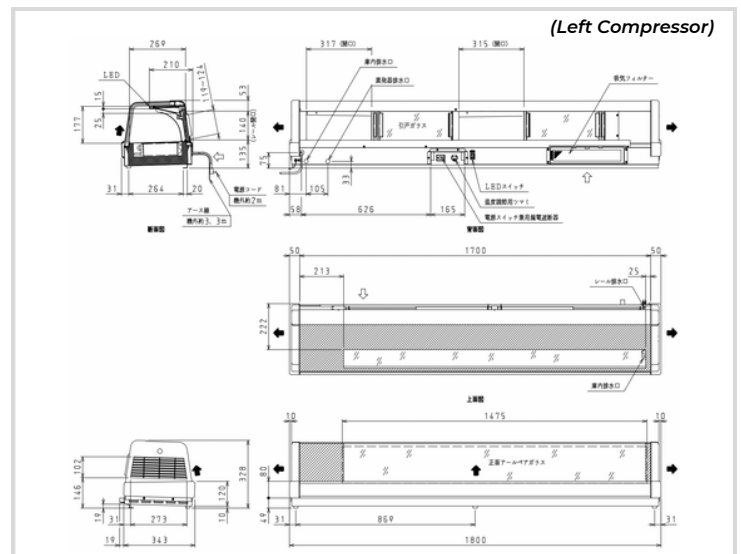
Sushi Display Showcase <Constant temperature high humidity>



**(Right Compressor)
DN621H-R**



**(Left Compressor)
DN621H-L**



*Comes with LED

PRODUCT SPECIFICATIONS

Model	Temperature	Dimension	Volume	Weight	Refrigerant	Power
DN621H-R	+ 3°C ~ + 10°C	1800(W) x 343(D) x 328(H)	60L	69KG	R134A	1 Phase / 220V / 50Hz 221/236W / 1.20A / 13A UK Plug
DN521H-L	+ 3°C ~ + 10°C	1800(W) x 343(D) x 328(H)	48L	62KG	R134A	1 Phase / 220V / 50Hz 221/236W / 1.20A / 13A UK Plug

