



**Reliable
Refrigeration
Solutions**



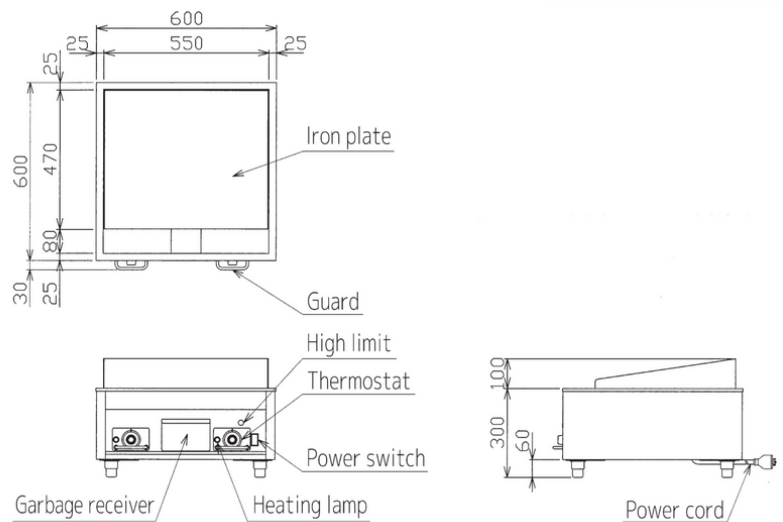
**ELECTRIC
GRIDDLE**



Thermostat Attached



MEG-066



PRODUCT SPECIFICATIONS

| Model | Dimensions (mm) | Temperature | Weight (KG) | Power |
|---------|---|--------------|-------------|----------------------------|
| MEG-066 | Ext: 600(W) x 600(D) x 300(H) Plate: 20(Thick) x 520(W) x 460(D) | 50°C ~ 300°C | 70KG | 3 Phase / 200V / 6kW / 20A |

