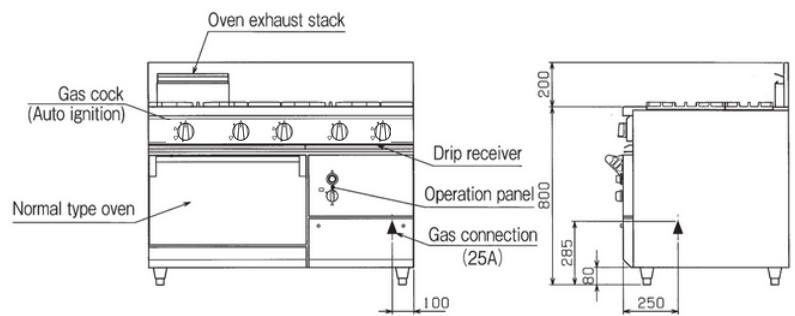
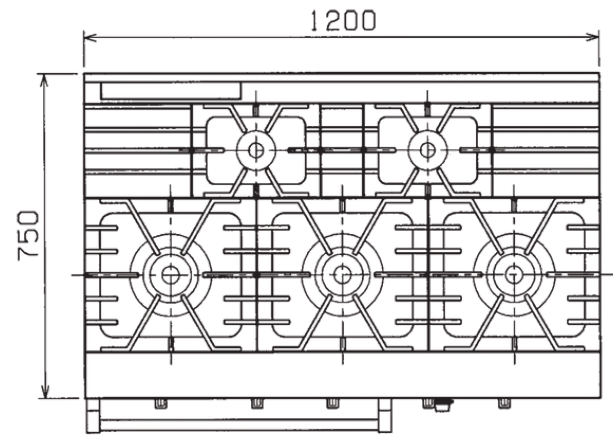




**RGR-1275D**



## SPECIFICATIONS

Model	Dimensions (mm)	Oven Dimensions	Weight	Burners & Ovens	Power
RGR-1275D	1200(W) x 750(D) x 800(H)	565(W) x 600(D) x 320(H)	230KG	2 x $\phi$ 95 Burner 3 x $\phi$ 190 Burner 1 Oven	TC: 71.5kW( 61,500kcal/h) LPG: 68.6kW( 4.92kg/h)

- ※1 Maximum pot diameter for  $\phi$ 95 burner is  $\phi$ 280mm and for  $\phi$ 165/190 burner is  $\phi$ 400mm.

